

## PSH500A | Enclosed 500VA Power Supply with Five 100VA Class II Outputs, 480/277/240/120 Vac to 24 Vac

Shown With Cover



**5 Secondaries:**  
 24 Vac, with LED Indicators

**24 Vac ON/OFF:**  
 On / Off Switch & Breaker

**Input:**  
 480/277/240/120 Vac Terminals

**Output:**  
 5 Isolated 100 VA Class II 24 Vac Terminals

**Standby Wattage:**  
 48.515 W @ 120 Vac  
 48.699 W @ 240 Vac  
 49.564 W @ 277 Vac  
 48.255 W @ 480 Vac

**Full Load Primary Current:**  
 4.66 A @ 120 Vac  
 2.41 A @ 240 Vac  
 2.06 A @ 277 Vac  
 1.17 A @ 480 Vac

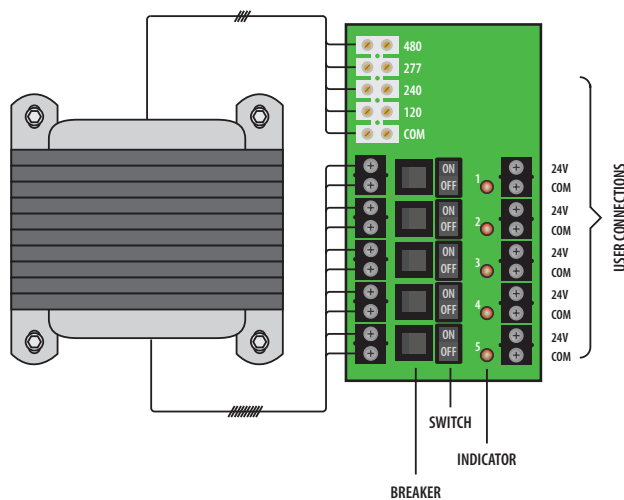
Shown Without Cover



**Temperature Derating:**  
 4A up to 40° C ; 3A up to 50° C ; 2A up to 55° C  
 (When All 5 Outputs Operated Simultaneously)

### SPECIFICATIONS

- Transformer:** One (1) 500 VA
- Over Current Protection:** Circuit Breaker
- Primary:** 480/277/240/120 Vac
- Frequency:** 50/60 Hz
- Dimensions:** 12.125" x 12.125" x 6.000"
- Approvals:** Class II UL Listed, UL916, C-UL, CE
- Housing:** NEMA1 Metal Enclosure
- Weight:** 30.16 lbs.



## NOTES

### VAV BOX APPLICATION

