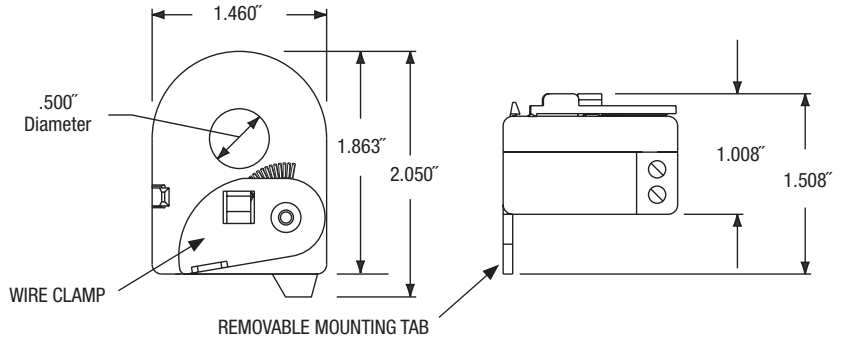


RIBXKTV VOLTAGE OUTPUT SERIES | Enclosed Solid Core Current to Voltage Transducers



SPECIFICATIONS

- Operating Temperature: -30 to 140° F
- Max Sense Voltage: 600 Vac
- Approvals: UL Listed, UL916, UL864, C-UL, CE
- Housing Rating: Plenum, NEMA 1
- Mounting/Installation: Removable mounting tab provided. The wire clamp locks against the load wire, securing the unit in place.
- Sensor Type: Solid core with voltage output

RIBXK VOLTAGE OUTPUT SERIES SELECTION GUIDE

MODEL #	RANGE	OUTPUT
RIBXKTV5-10	0-10 Amp	0-5 Vdc (Terminal Strip, Accepts #14-22 AWG Wire)
RIBXKTV5-20	0-20 Amp	0-5 Vdc (Terminal Strip, Accepts #14-22 AWG Wire)
RIBXKTV5-50	0-50 Amp	0-5 Vdc (Terminal Strip, Accepts #14-22 AWG Wire)
RIBXKTV5-100	0-100 Amp	0-5 Vdc (Terminal Strip, Accepts #14-22 AWG Wire)

NOTES

ANALOG CURRENT SENSING

Determine running current with an analog current sensor.

