

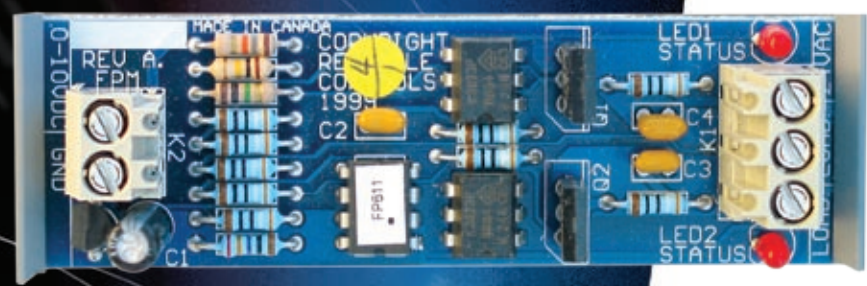
Reliable Controls® MACH-System

# Reliable controls

...people and technology you can rely on™

- TRIAC SWITCHES FOR CONTROLLING AC LOADS
- FLOATING POINT MODULE FOR CONTROLLING TRI-STATE MODULATING DEVICES
- DUAL-STAGE MODULE FOR CONTROLLING TWO STAGE DIGITAL LOADS
- LOW NOISE, LOW TRANSIENT, ZERO CROSSING TECHNOLOGY
- REQUIRES A SINGLE OUTPUT FROM MACH-CONTROLLERS
- STATUS LED DISPLAY TRIAC STATE
- EASY SNAP-TRACK MOUNTING
- 5 YEAR WARRANTY

## TRIAC MODULE



The Reliable Controls® Triac modules provide a simple, flexible, and economical solution to controlling floating point and dual stage AC loads, and ships with the Reliable Controls® **industry best** 5 year warranty.



The Reliable Controls<sup>®</sup> TRC-FP triac module allows control of a single floating point device from a single 0–10 VDC analog output. Load 1 and Load 2 cannot be energized simultaneously. The TRC-DS triac module allows control of 2 discrete digital devices from a single 0–10 VDC analog output. Load 1 is staged first and Load 2 is staged second. The TRC-DC is excellent for controlling 2 stage heat or 2 stage cool applications from a single output. Both modules use zero crossing technology to provide a low noise, low transient switch for safe switching of AC power devices. Energized status LEDs indicate which triac is on. The modules mount in standard 3.25" snaptrack.

### FEATURES

#### AC Load Control

- Floating point control
- 2-stage control
- Zero cross technology
- LED status display
- Snap-track mounted

#### Warranty

- 5 year

### ORDERING

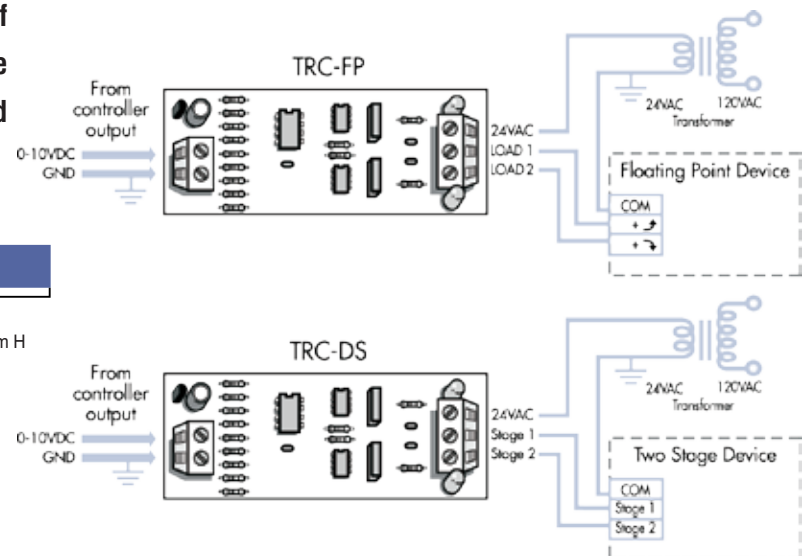
#### TRC-FP

- Floating point triac module

#### TRC-DS

- Dual stage triac module

### APPLICATION DIAGRAM



### TECHNICAL SPECIFICATION

#### Supply Voltages

- From Controller

#### Input to TRC-FP

- 0–10 VDC 14 mA
- 0 VDC - both loads off
- 4.5 to 6 VDC Load 1 on, Load 2 off
- 8 to 10 VDC Load 1 off, Load 2 on

#### Input to TRC-DS

- 0–10 VDC 14 mA
- 0 VDC - both stages off
- 4.5 to 6 VDC Stage 1 on, Stage 2 off
- 8 to 10 VDC Stage 1 on, Stage 2 on

#### Outputs

##### (both TRC-FP and TRC-DS)

- Voltage: 10 to 30 VAC
- Current: 20 mA (minimum)  
1 A rms (maximum)
- Zero crossing triac switch

#### Dimensions

- 8.5 cm L x 2.54 cm W x 2.5 cm H  
(3.25" L x 1.0" W x 1.0" H)

#### Mounting

- 8.25 cm L x 2.54 cm W  
(finished board)  
(3.25" L x 1.0" W)

#### Weight

- 0.000 kg (0.000 lb.)

#### Ambient Limits

- Operating: -18 °C to 49 °C  
(0 °F to 120 °F)
- Shipping: -20 °C to 60 °C  
(-40 °F to 140 °F)
- Humidity: 10% to 90% RH  
non-condensing